

Sharing the Internet at home without running cables

Problem

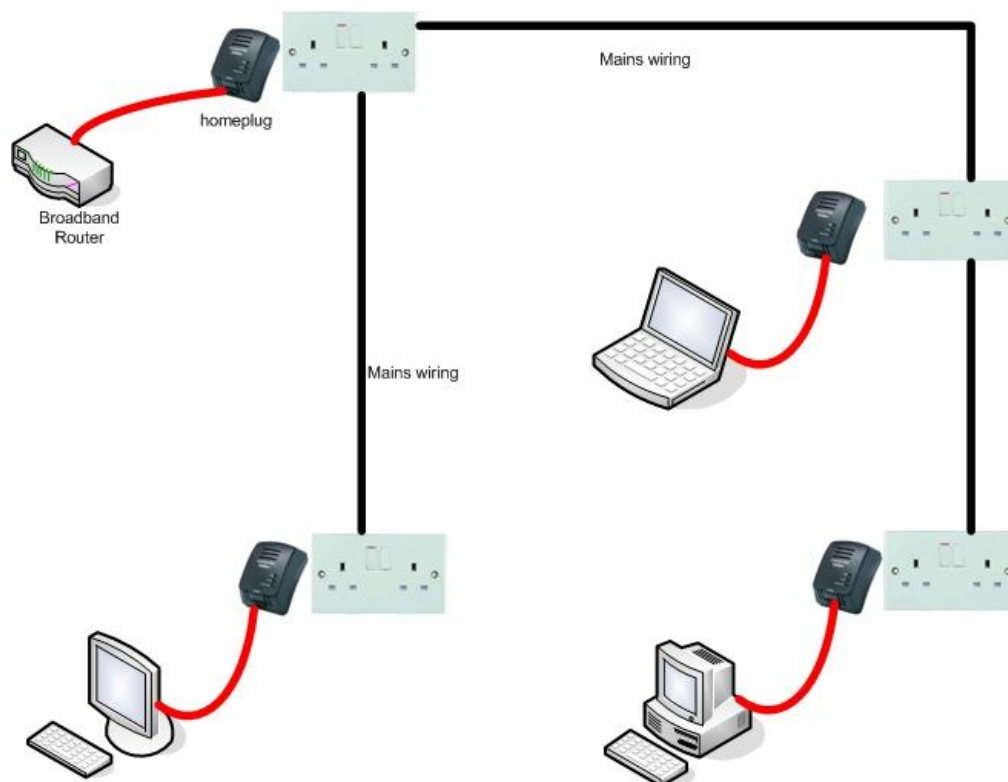
I have three computers in my house and I want to be able to connect them all to the internet at the same time but I don't want to have cables all over the house.

Solution

This is a common problem in homes. These days, just about everyone in the family wants to have their own computer and they all want to be using the web and sending emails at the same time.

The obvious way to achieve this is to run network cables from each PC back to the broadband router. This would take time and money and generally unless you can hide the cables it will look bad. There is an easier and cleaner way to do this. A new range of products is now available that allows information to be transmitted over the electric cables hidden in the walls and under the floor.

Homeplugs provide a quick way to connect your PC to a router in another part of the house. You plug one Homeplug into a power socket close to the router and link the network cable to an empty network port on the router and then plug another Homeplug into a power socket close to your PC and link the network cable into your PC. The good thing is you can plug more Homeplugs in around the house use PCs and laptops at the same time.



3 computers sharing a domestic broadband line using Homeplugs

Solwise Homeplug

Key Points

- Uses the mains wiring in the house
- No unsightly cabling
- Consistent network connections - unlike WiFi
- Up to 85Mbps between plug and router
- Connect up to 12 plugs around the house
- Works up to 100m

Costs

Each adapter will cost you about £30 and you need a minimum of two to start the network..